

**NEW**

# Agricare F1 Controllers

Make-your-own Fertigation Systems from Hanna Instruments



**HI 8002  
Waterproof  
Wall-Mount Unit**



**HI 8001  
Panel-Mount Unit**

- Wall and panel-mount units
- Units control 8 to 32 sectors with 10 irrigation programs
- 4 inputs for fertilizer
- 1 input for acid or base
- Controller can be started by time, solar radiation, programmed or manually
- Irrigation can be performed by time or volume for 1 or multiple sectors
- Automatic filter cleaning command
- Automatic level control command
- Command for automatic tank mixers to keep fertilizer in solution
- Controller daily logging function for all important parameters
- Computer capabilities with RS232



**PERFECT FOR GREENHOUSES, GOLF COURSES AND ORCHARDS**

### Waterproof Wall-mount Units

HI 8002-01	8 Sectors
HI 8002-02	16 Sectors
HI 8002-03	24 Sectors
HI 8002-04	32 Sectors



### Panel-mount Units

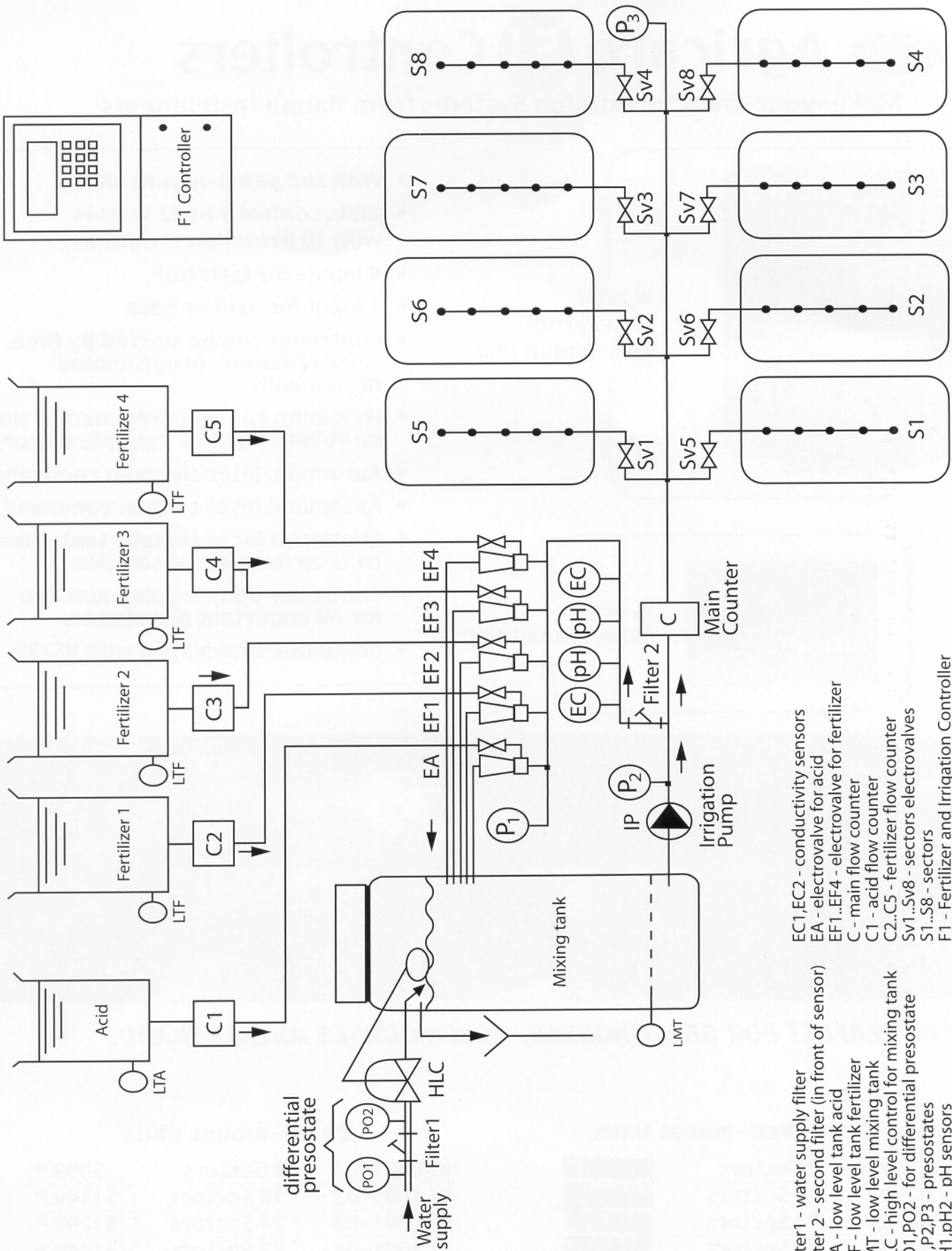
HI 8001-01	8 Sectors
HI 8001-02	16 Sectors
HI 8001-03	24 Sectors
HI 8001-04	32 Sectors



**Certified  
ISO 9001**

Tel.: (877) 694-2662 Fax: (401) 765-7575 [www.hannainst.com](http://www.hannainst.com)

**HANNA**  
instruments  
Manufacturers Since 1978



- Filter1 - water supply filter
- Filter 2 - second filter (in front of sensor)
- LTA - low level tank acid
- LTF - low level tank fertilizer
- LMT - low level mixing tank
- HLC - high level control for mixing tank
- PO1,PO2 - for differential presostat
- P1,P2,P3 - presostates
- pH1,pH2 - pH sensors
- EC1,EC2 - conductivity sensors
- EA - electrovalve for acid
- EF1..EF4 - electrovalve for fertilizer
- C - main flow counter
- C1 - acid flow counter
- C2..C5 - fertilizer flow counter
- Sv1..Sv8 - sectors electrovalves
- S1..S8 - sectors
- F1 - Fertilizer and Irrigation Controller